



**I-Max Easy**  
digital panoramic unit

Saving in digital panoramic imaging



maximum  
benefit for  
a minimum  
investment

The new I-Max Easy digital panoramic unit is the fruit of a perfect combination of recognized simplicity (as already seen in the analog version in use in more than 15,000 practices around the world) and very high precision digitalization.

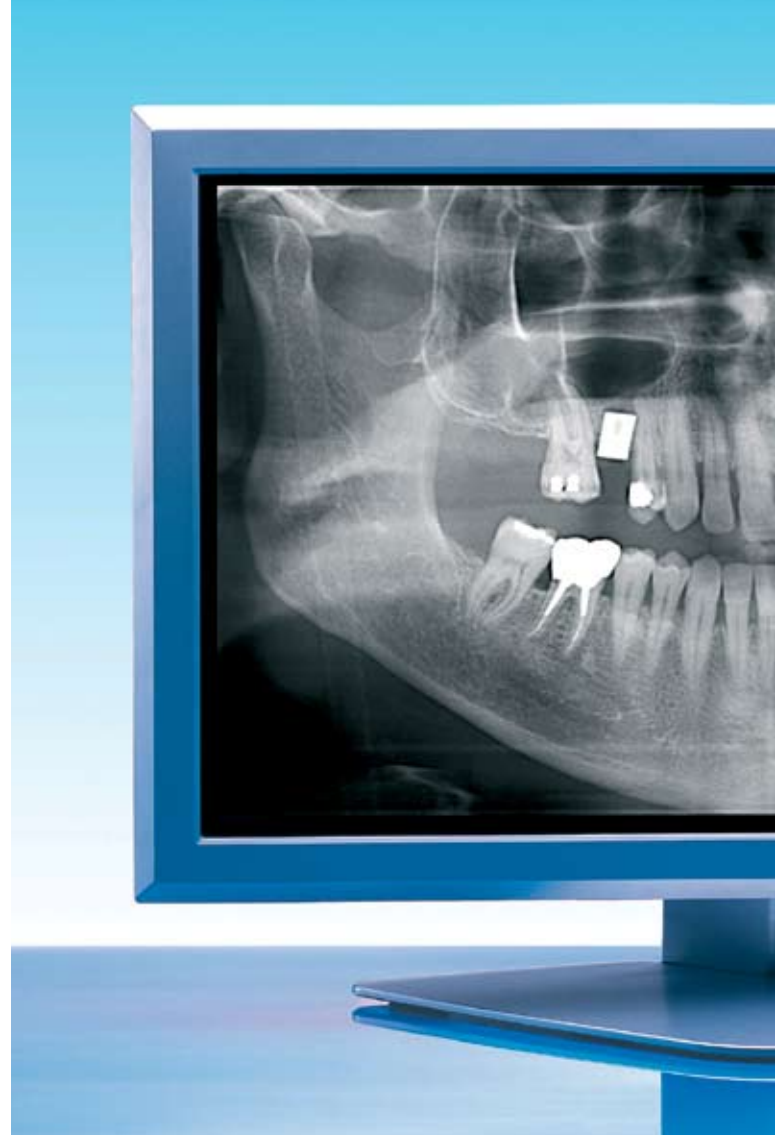


I-Max Easy can be used for all the most common panoramic radiographs:

- Standard adult or child panoramic
- TMJ mouth open or closed
- Sinus

It is fully integrated with QuickVision software, is easy to use, offers effective diagnoses based on digital technology and Owandu image processing - and all at a very advantageous price.

This system meets the most exacting standards of any practice and enhances patient satisfaction.



**Higher quality**

The image is digitized at source, when the image is taken, to avoid the risk of information loss.

**Greater control**

Digital technology is very flexible and enables post-compensation of anomalies to "fix" any exposure errors.



## I-Max Easy digital panoramic unit



### A remarkable capacity for adaptation

With I-Max Easy, sharing resources becomes the key to profitably managing your practice, regardless of its current configuration.

### Greater diagnosis precision

Zoom in or out, reverse video, pseudo-colours, etc. QuickVision software can manipulate the image in ways that help you better understand the patient's pathology.

### Single-user or network installation

The USB 2.0 interface of the I-Max Easy can be connected easily to any PC with a USB port.

### Group practice

The I-Max Easy is supplied with a Compact Flash card that can be used to store images without a PC connection. The removable card can then be taken to any other PC in the practice.

### Additional benefits

Going digital will cut out developing costs and associated pollutants, and free up the space previously occupied by the darkroom.

### Easier storage

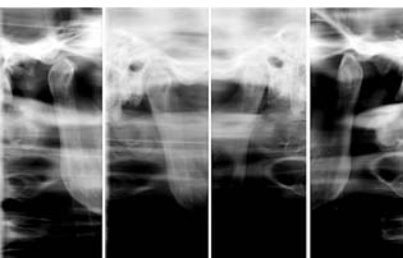
The image is available immediately and stored automatically in the patient file. It can easily be sent over the Internet to a colleague or a health insurance agency, or printed on paper.

### Increased safety

The digital sensor technology is more sensitive, allowing the radiation dosage needed to take an image to be significantly reduced.

### Instant availability

Once the image is taken, it is instantly available on your computer screen. No more waiting around - the diagnosis is immediate.



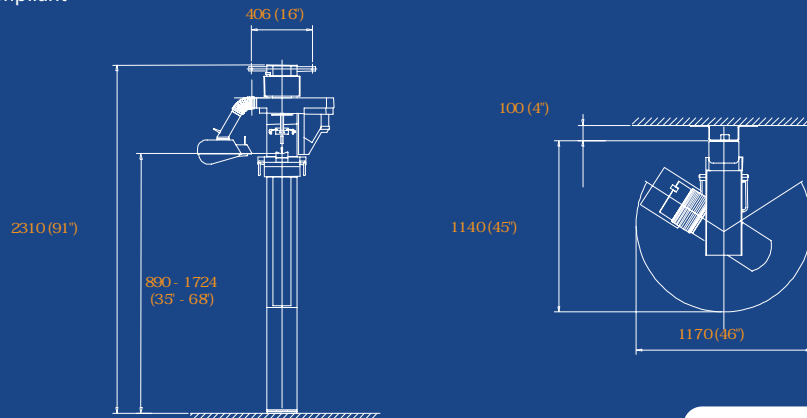
# I-Max Easy

digital panoramic unit

Saving  
in digital  
panoramic  
imaging

## Technical specifications

Digital sensor	CCD
Pixel size	48 µm
CCD Resolution	10.4/5.2 pixels/mm
Gray levels	4,096 - 12 bits/pixel
Enlargement ratio	1,2
PC Connection	USB 2.0 - 480 MB/sec
Portable storage	Compact Flash card
kV selection	60-85 kVp, (5 kV by 5 kV)
Power	10 mA
Focal length	0.5
Exposure time	Panoramic 17" adult / 14" child TMJ 9,4"
Voltage	220/230/240 Vac (10%)
Single Phase	50 Hz
Absorbed current	5 A @ 230 V
Power consumption	1.15 kVa
Weight	236 kg
EC compliant	



**owandy**  
DENTAL IMAGING SYSTEMS & SOFTWARE

Dealer stamp

**Owandy**  
6, allée Kepler  
77420 Champs sur Marne  
France  
Tel: +33 (0)1 64 11 18 18  
Fax: +33 (0)1 64 11 18 10  
Email: [info@owandy.com](mailto:info@owandy.com)  
[www.owandy.com](http://www.owandy.com)

DIGITAL SENSORS  
**PANORAMIC UNITS**  
CAMERAS  
RADIOLOGY EQUIPMENTS  
SOFTWARES